

CLEVELAND
MIXER

EST. 1940

Cleveland Mixer
4 Heritage Park Road
Clinton, CT 06413-1836

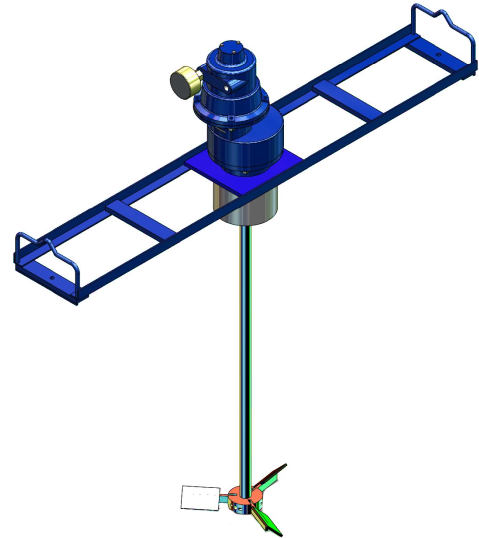
P: (800) 243-1188
P: (860) 669-1199
F: (860) 669-7461

info@clevelandmixer.com

Bulk Container & IBC Tote Tank Mixers

(BC Series)

- Multiple mounting choices for easy installation and removal
- Quick delivery — usually shipped within 1 day for most models
- Broad range of horsepower and operating configurations for optimal selection



Tote Tank Mixing Made Easy

Cleveland Mixer engineers a durable and effective solution for mixing and agitating in IBC tote tanks, whether constructed of plastic or steel.

The agitator is self contained and pre-mounted on a rigid steel drive support that traverses the tote tank. The same agitator can be used on a variety of tote tank volumes and dimensions with our easily adjusted mounting frame. Cap and lid mounted mixers are also available with lifting eyes, lock down clamps and splash guards when required.

The Cleveland Mixer Bulk Container product series can blend from 275 gallon to 550 gallon batches in viscosities up to 5,000 cps.

Durable Construction

Three mounting configurations available. Adjustable steel frame, 6" and 8" cap mounting and 22" diameter lid mounting. A light weight, high strength, aluminum alloy mounting frame with fork lift pockets is also available.

Easy, Optimized Selection

Broad range of horsepower and operating speeds available. Standard C-face mounted motors from Baldor, ranging from ¼ to 5 horsepower. 5 different operating speeds from 1750 rpm to 125 rpm. Optimal mixer selection allows for the most cost effective means to achieve your process goals.

High-Quality Materials

Process wetted materials are standard 316L. Hastelloy B, C, and other high nickel alloys are available. PVC, PFA and PVDF coatings are also available.

Diverse Configurations

For narrow tank openings, (2" through 6" diameter), collapsible impellers are available in 3 different styles. High efficiency, axial flow turbines, radial flow turbines are available for your wide ranging process needs.